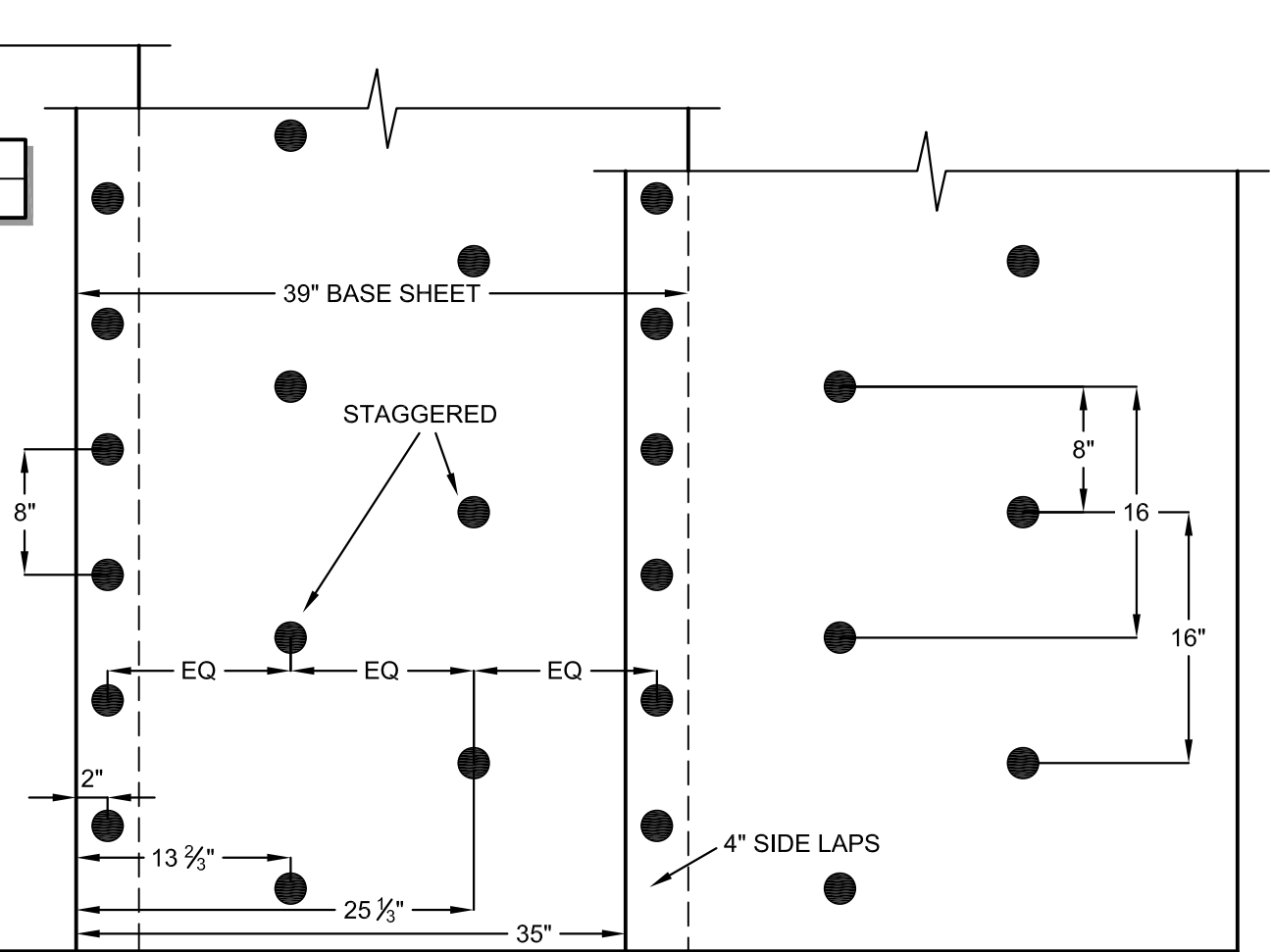


FIELD	PERIMETER	CORNER
8/16/16	7/7/7	6/6/6/6



NOTES:

1. FASTENING PATTERN AND BOARD SELECTION, INCLUDING TYPE, SIZE AND THICKNESS, ARE TO BE USED IN CONJUNCTION WITH U.S. PLY GENERAL REQUIREMENTS, INSTALLATION REQUIREMENTS AND APPLICABLE U.S. PLY APPROVED FASTENERS.
2. UNLESS OTHERWISE STATED, FASTENER DENSITIES ARE DETERMINED BASED ON PULL OUT VALUES IN CONJUNCTION WITH EITHER THE APPLICABLE APPROVAL RATING, PROJECT SPECIFICATION, AND/OR THE DESIGN VELOCITY PRESSURES IN ACCORDANCE WITH CURRENT EDITION OF ASCE 7 OR THE AUTHORITY HAVING JURISDICTION (AHJ).

This detail is furnished "as is" and "as available" and for information only and as a guide for use in conjunction with U.S. Ply products with applicable construction conditions. All dimensions shown are sheet specific; do not scale off of drawing. All details must be checked by the user's designer, architect or engineer to ensure that design is adequate for intended use. Any alterations made to this detail become the design of the user and shall neither be assumed nor construed as U.S. Ply's design. U.S. Ply will not be liable for damages of any kind arising from the use of this website, and/or details, including direct, indirect, incidental, consequential and punitive damages.



U.S. PLY, INC.

Pioneered with performance in mind... Engineered to stand the test of time.

TITLE: **8/16/16 FASTENING PATTERN FOR
39" WIDE BASE SHEET WITH 4" SIDE LAPS**

DATE:
05-14-2004

SCALE:
1" = 1'-0"

REVISIONS:
01-31-2011

FS39-8