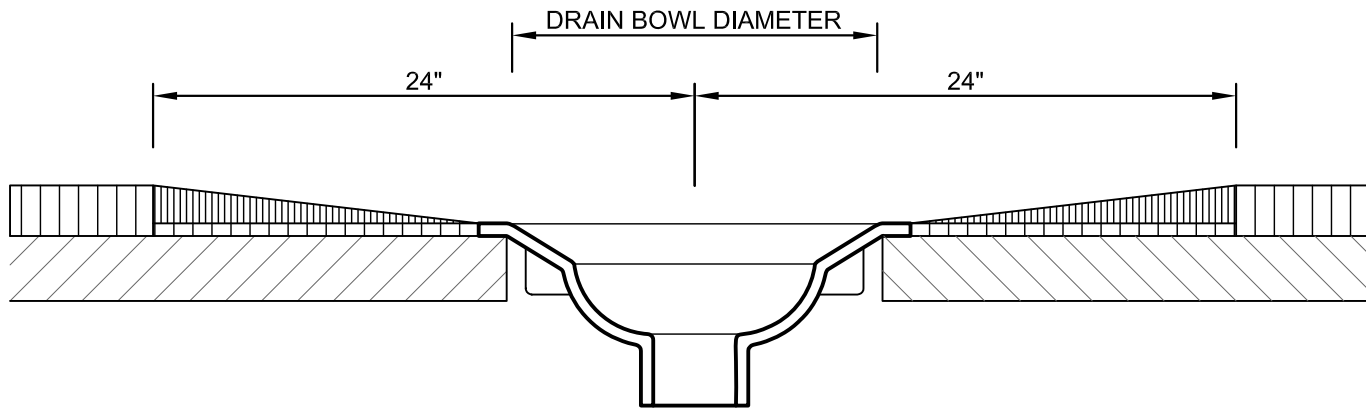


**NOTES:**

1. REFER TO DETAILS CS-1 - CRICKETS AND SADDLES AND C-1 - CRICKETS FOR ADDITIONAL INFORMATION REGARDING CRICKET AND SADDLE SLOPE AND LENGTH-TO-WIDTH (L:W) RATIOS.
2. DRAIN SUMP SIZE MAY BE INCREASED. WHEN DRAIN SUMP SIZE IS INCREASED, SADDLES BETWEEN DRAIN SUMPS SHOULD START AT OUTER EDGE OF THE DRAIN SUMP.



<b>INSULATION THICKNESS AT OUTER EDGE OF SUMP</b>	1 1/2"	2"	2 1/2"	3"	3 1/2"	4"	4 1/2"
<b>HEIGHT OF DRAIN BOWL RIM ABOVE DECK</b>	0"	1/2"	1"	1 1/2"	2"	2 1/2"	3"

This detail is furnished "as is" and "as available" and for information only and as a guide for use in conjunction with U.S. Ply products with applicable construction conditions. All dimensions shown are sheet specific; do not scale off of drawing. All details must be checked by the user's designer, architect or engineer to ensure that design is adequate for intended use. Any alterations made to this detail become the design of the user and shall neither be assumed nor construed as U.S. Ply's design. U.S. Ply will not be liable for damages of any kind arising from the use of this website, and/or details, including direct, indirect, incidental, consequential and punitive damages.



**U.S. PLY, INC.**

*Pioneered with performance in mind... Engineered to stand the test of time.*

TITLE:

**DRAIN SUMP DETAIL**

DATE:  
**05-14-2004**

REVISIONS:  
**01-31-2011**


SCALE:  
**N.T.S.**

**DS-1**