



PLYFAST® ZAMAC NAILIN ANCHOR

Description: PLYFAST® Zamac Nailin Anchors Zinc alloy nail drive anchor in a one piece assembly was developed for its resistance to corrosion. A simple to use anchor fastens termination bar, wood, metal studs, siding and various other materials to concrete, masonry block and brick. Mushroom style head. Available in lengths from 3/16" x 7/8" to 1/4" x 2"

Use: PlyFast® Zamac Nailin Anchor fastens termination bar, wood, metal studs, siding and various other materials to concrete, masonry block and brick.

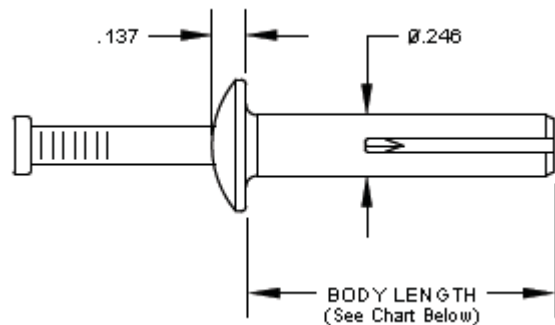
Corrosion Coating: Meets or exceeds FM 4470 corrosion standards and withstands 30 cycles of the Kesternich DIN 50018 SFW 2.0 test.

How it works: Anchor body expands as it is driving into the substrate material. Has excellent tension load on pull-out resistance.

Application: Use an appropriate masonry bit to drill a pilot hole, the same nominal diameter as the anchor and slightly deeper than the desired penetration. Use a hammer to nail the anchor into the hole. Anchor body will expand when driven wedging against the inner wall of the pilot hole. On-site withdrawal testing should always be performed to evaluate the ability of the roofing substrate to satisfactorily accept and retain fasteners. Such testing may alter fastener selection and modify applicable fastening patterns

Fastening Pattern: No layout or hole spotting required.

ZAMAC NAILIN ANCHOR



Product Data: PLYFAST® Ordering Information (typical):

Product	Diameter	Length	Pkg. Qty.	Pkg. Wt.	Master Carton Qty.
Zamac 3/16 x 7/8	3/16"	7/8"	100	11.8 lbs	500
Zamac 1/4 x 1	1/4"	1"	100	16.2 lbs	500
Zamac 1/4 x 1-1/4	1/4"	1-1/4"	100	19.7 lbs	500
Zamac 1/4 x 1-1/2	1/4"	1-1/2"	100	21.5 lbs	500
Zamac 1/4 x 2	1/4"	2"	100	24.6 lbs	500

All values given are approximate and are subject to change without notice. There is no implied or express warranty given through these values or statements, nor are there any assertions that the product purchased has been individually tested to conform to these standards. Testing is performed on a random basis by "in-house" and independent "third party" evaluation for the purpose of classification and or approval. Acceptance, purchase and selection of these products are the sole responsibility of the buyer or buyer's representative. We assume no responsibility for coverage, performance or injuries resulting from use. Liability, if any, is limited to replacement of the product. NO OTHER WARRANTY OR GUARANTEE OF ANY KIND IS MADE BY U.S. PLY, INC. EXPRESSED OR IMPLIED; STATUTORY, BY OPERATION OF LAW, OR OTHERWISE, INCLUDING MERCHANTABILITY AND FITNESS FOR A PARTICULAR PURPOSE.



PROUDLY
MADE IN THE U.S.A.

CORPORATE HEADQUARTERS: P.O. BOX 1182, BRIDGEPORT, TEXAS 76426

PHONE: (817)413-0103 FAX: (817)413-8221

REV MAY 2023

WWW.USPLY.COM